

Hose Adapter Fittings

The best partner for value creation
We support the innovations of customer



08



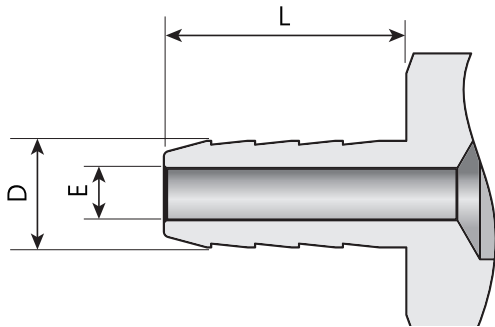
Catalogue No. S-LOK Oct.2020

Features

- S-LOK Hose Connectors allow easy installation of soft plastic or rubber tubing.
- Hose barb design holds soft plastic or rubber tubing inside diameter securely.
- Reusable to other assemblies
- Stainless steel and brass construction.
- Size range : 1/8 ~ 1 in.
- Can be used without hose clamp in low pressure application.
- Hose clamps may be required for high pressure application.



Hose Barb Dimensions

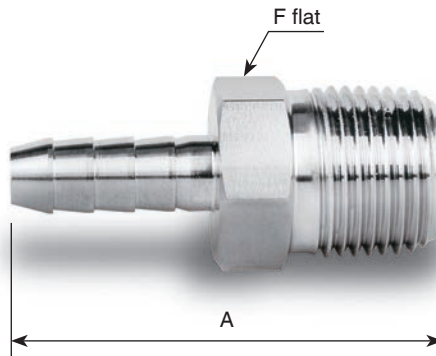


Nominal Hose I.D.	Width across flat		
	D	E	L
1/8	0.15 (3.8)	0.08 (2.0)	0.40 (10.2)
3/16	0.23 (5.8)	0.12 (3.0)	0.59 (15.0)
1/4	0.30 (7.6)	0.19 (4.8)	0.79 (20.1)
5/16	0.38 (9.7)	0.19 (4.8)	0.87 (22.1)
3/8	0.45 (11.4)	0.30 (7.6)	0.87 (22.1)
1/2	0.60 (15.2)	0.38 (9.7)	0.94 (23.9)
5/8	0.75 (19.0)	0.50 (12.7)	0.98 (24.9)
3/4	0.90 (22.9)	0.63 (16.0)	1.05 (26.7)
1	1.20 (30.5)	0.88 (22.4)	1.19 (30.2)

Ordering Information

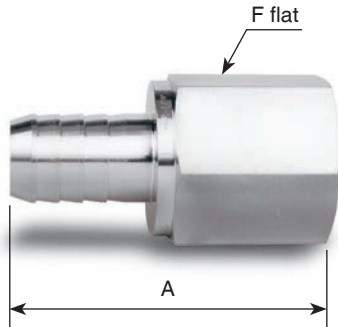
SPHA	-	4	-	4T	-	S6
Fitting Series		Nominal Hose I.D		Connection Size		Material
<ul style="list-style-type: none"> • SHAM : Male Connector • SHAF : Female Connector • SHAT : S-LOK Tube Adapter • SHAS : S-LOK Tube Fitting Connector 		<ul style="list-style-type: none"> • 2 : 1/8" • 3 : 3/16" • 4 : 1/4" • 5 : 5/16" • 6 : 3/8" • 8 : 1/2" • 10 : 5/8" • 12 : 3/4" • 16 : 1" 		<ul style="list-style-type: none"> • 2N : 1/8" NPT • 4N : 1/4" NPT • 6N : 3/8" NPT • 8N : 1/2" NPT • 12N : 3/4" NPT • 16N : 1" NPT • 2T : 1/8" TUBE O.D • 4T : 1/4" TUBE O.D • 6T : 3/8" TUBE O.D • 8T : 1/2" TUBE O.D • 12T : 3/4" TUBE O.D • 16T : 1" TUBE O.D 		<ul style="list-style-type: none"> • S6 : 316 Stainless Steel • BS : Brass

Male Connectors



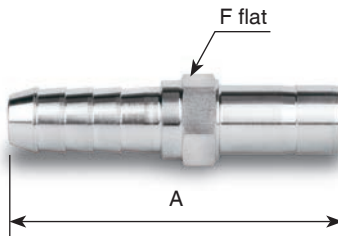
Ordering Number	End Connections		Dimensions, in. (mm)		
	Nominal Hose I.D	Male NPT	F Hex flat	A Length	Min. Inside Diameter
SHAM-2-2N	1/8	1/8	7/16 (11.1)	1.08 (27.4)	0.08 (2.0)
SHAM-2-4N	1/8	1/4	9/16 (14.2)	1.26 (32.0)	0.08 (2.0)
SHAM-3-2N	3/16	1/8	7/16 (11.1)	1.27 (32.2)	0.12 (3.0)
SHAM-3-4N	3/16	1/4	9/16 (14.2)	1.45 (36.8)	0.12 (3.0)
SHAM-4-2N	1/4	1/8	7/16 (11.1)	1.47 (37.3)	0.19 (4.8)
SHAM-4-4N	1/4	1/4	9/16 (14.2)	1.65 (41.9)	0.19 (4.8)
SHAM-4-6N	1/4	3/8	11/16 (17.4)	1.66 (42.2)	0.19 (4.8)
SHAM-4-8N	1/4	1/2	7/8 (22.2)	1.85 (47.0)	0.19 (4.8)
SHAM-5-2N	5/16	1/8	7/16 (11.1)	1.55 (39.4)	0.19 (4.8)
SHAM-5-4N	5/16	1/4	9/16 (14.2)	1.73 (43.9)	0.19 (4.8)
SHAM-5-6N	5/16	3/8	11/16 (17.4)	1.74 (44.2)	0.19 (4.8)
SHAM-5-8N	5/16	1/2	7/8 (22.2)	1.96 (49.8)	0.19 (4.8)
SHAM-6-4N	3/8	1/4	9/16 (14.2)	1.73 (43.9)	0.30 (7.6)
SHAM-6-6N	3/8	3/8	11/16 (17.4)	1.74 (44.2)	0.30 (7.6)
SHAM-6-8N	3/8	1/2	7/8 (22.2)	1.96 (49.8)	0.30 (7.6)
SHAM-8-4N	1/2	1/4	11/16 (17.4)	1.80 (45.7)	0.28 (7.1)
SHAM-8-6N	1/2	3/8	11/16 (17.4)	1.81 (46.0)	0.38 (9.7)
SHAM-8-8N	1/2	1/2	7/8 (22.2)	2.03 (51.6)	0.38 (9.7)
SHAM-10-6N	5/8	3/8	1-1/16 (26.9)	1.88 (47.8)	0.38 (9.7)
SHAM-10-8N	5/8	1/2	1-1/16 (26.9)	2.07 (52.6)	0.47 (11.9)
SHAM-10-12N	5/8	3/4	1-1/16 (26.9)	2.07 (52.6)	0.50 (12.7)
SHAM-12-8N	3/4	1/2	1-1/16 (26.9)	2.14 (54.4)	0.47 (11.9)
SHAM-12-12N	3/4	3/4	1-1/16 (26.9)	2.14 (54.4)	0.63 (16.0)
SHAM-12-16N	3/4	1	1-3/8 (34.9)	2.43 (61.7)	0.63 (16.0)
SHAM-16-12N	1	3/4	1-3/8 (34.9)	2.38 (60.5)	0.63 (16.0)
SHAM-16-16N	1	1	1-3/8 (34.9)	2.57 (65.3)	0.88 (22.4)

Female Connectors



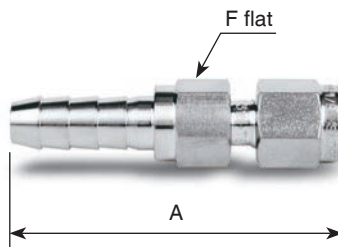
Ordering Number	End Connections		Dimensions, in. (mm)		
	Nominal Hose I.D.	Female NPT	F Hex flat	A Length	Diameter
SHAF-2-2N	1/8	1/8	9/16 (14.2)	1.11 (28.2)	0.08 (2.0)
SHAF-2-4N	1/8	1/4	3/4 (19.0)	1.26 (32.0)	0.08 (2.0)
SHAF-3-2N	3/16	1/8	9/16 (14.2)	1.29 (32.8)	0.12 (3.0)
SHAF-3-4N	3/16	1/4	3/4 (19.0)	1.44 (36.6)	0.12 (3.0)
SHAF-4-2N	1/4	1/8	9/16 (14.2)	1.47 (37.3)	0.19 (4.8)
SHAF-4-4N	1/4	1/4	3/4 (19.0)	1.64 (41.7)	0.19 (4.8)
SHAF-4-6N	1/4	3/8	7/8 (22.2)	1.71 (43.4)	0.19 (4.8)
SHAF-5-4N	5/16	1/4	3/4 (19.0)	1.73 (43.9)	0.19 (4.8)
SHAF-5-6N	5/16	3/8	7/8 (22.2)	1.82 (46.2)	0.19 (4.8)
SHAF-6-4N	3/8	1/4	3/4 (19.0)	1.69 (42.9)	0.30 (7.6)
SHAF-6-6N	3/8	3/8	7/8 (22.2)	1.78 (45.2)	0.30 (7.6)
SHAF-6-8N	3/8	1/2	1-1/16 (26.9)	2.03 (51.6)	0.30 (7.6)
SHAF-8-8N	1/2	1/2	1-1/16 (26.9)	2.13 (54.1)	0.38 (9.7)
SHAF-8-8N	1/2	1/2	1-1/16 (26.9)	2.13 (54.1)	0.38 (9.7)

S-LOK Tube Adapters



Ordering Number	End Connections		Dimensions, in. (mm)		
	Nominal Hose I.D.	Tube O.D.	F Hex flat	A Length	Min. Inside Diameter
SHAT-2-2T	1/8	1/8	5/16 (7.9)	1.36 (34.5)	0.08 (2.0)
SHAT-2-4T	1/8	1/4	3/8 (9.5)	1.45 (36.8)	0.08 (2.0)
SHAT-4-4T	1/4	1/4	7/16 (11.1)	1.85 (47.0)	0.19 (4.8)
SHAT-4-6T	1/4	3/8	7/16 (11.1)	1.91 (48.5)	0.19 (4.8)
SHAT-5-4T	5/16	1/4	7/16 (11.1)	1.93 (49.0)	0.19 (4.8)
SHAT-6-4T	3/8	1/4	9/16 (14.2)	1.93 (49.0)	0.17 (4.3)
SHAT-6-6T	3/8	3/8	9/16 (14.2)	1.99 (50.5)	0.27 (6.9)
SHAT-6-8T	3/8	1/2	5/8 (15.8)	2.25 (57.2)	0.30 (7.6)
SHAT-8-6T	1/2	3/8	11/16 (17.4)	2.06 (52.3)	0.27 (6.9)
SHAT-8-8T	1/2	1/2	11/16 (17.4)	2.32 (58.9)	0.38 (9.7)
SHAT-12-12T	3/4	3/4	1-3/16 (30.1)	2.49 (63.3)	0.58 (14.7)
SHAT-16-16T	1	1	1-3/8 (34.9)	3.05 (77.5)	0.80 (20.3)

S-LOK Tube Fitting Connectors



Ordering Number	End Connections		Dimensions, in. (mm)		
	Nominal Hose I.D.	Tube O.D.	F Hex flat	A Length	Min. Inside Diameter
SHAS-2-2T	1/8	1/8	7/16 (11.1)	1.42 (36.1)	0.08 (2.0)
SHAS-4-2T	1/4	1/8	7/16 (11.1)	1.81 (46.0)	0.09 (2.3)
SHAS-4-4T	1/4	1/4	9/16 (14.2)	1.92 (48.8)	0.19 (4.8)
SHAS-6-4T	3/8	1/4	9/16 (14.2)	1.99 (50.6)	0.19 (4.8)
SHAS-6-6T	3/8	3/8	3/4 (19.0)	2.06 (52.3)	0.28 (7.1)
SHAS-8-8T	1/2	1/2	7/8 (22.2)	2.24 (56.9)	0.38 (9.7)